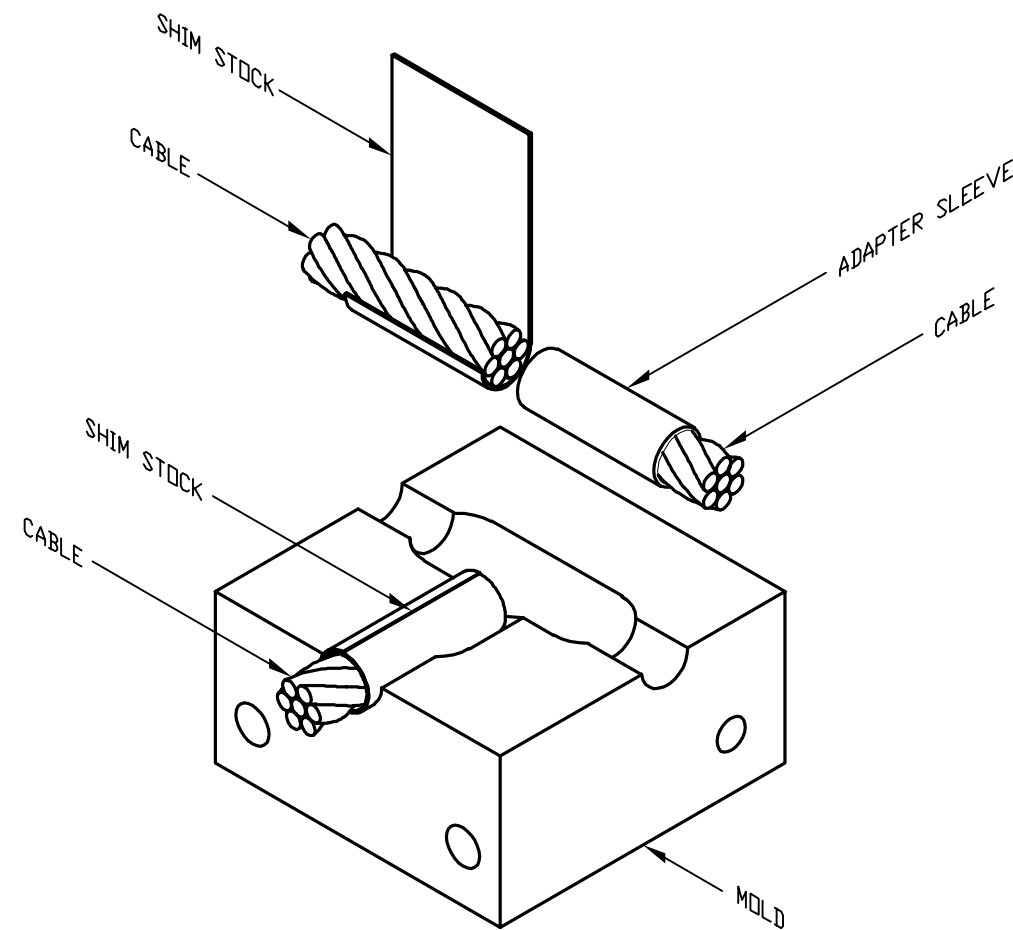




FOR USE ON CABLE SIZE		PART NO.	USE IN MOLD SIZE	SLEEVE DIMENSIONS		
STRANDED	SOLID			O.D.	I.D.	LENGTH
#12, #14	#10, #12, #14	A-200	#6 STR & Sol	.156	.111	1.00
#9, #10	#8, #9, #10	A-208	#4 Sol	.203	.140	1.00
#7, #8, #10	#6, #8	A-201	#4	.227	.177	1.00
#6	#5	A-202	#2	.292	.198	1.00
#4, #5	#3, #4	A-207	#2	.302	.246	1.00
#4	#2	A-204	#1	.340	.246	1.00
#2	#1	A-203	1/0	.370	.307	1.00
#1	1/0	A-209	2/0	.420	.359	1.00
1/0, #1	2/0	A-205	3/0 & 4/0 Sol	.469	.385	1.00
2/0, 1/0	3/0	A-240	4/0	.524	.437	1.50
4/0	-	A-211	300 MCM	.625	.545	1.25
250 MCM	-	A-212	350 MCM	.677	.595	1.25
350, 400 MCM	-	A-213	500 MCM	.811	.762	1.50
250, 300, 350 MCM	-	A-214	500 MCM	.811	.700	1.50
750, 800 MCM	-	A-215	1000 MCM	1.156	1.05	1.50

SHIM STOCK AND ADAPTER SLEEVES
THERMOWELD® MOLDS DESIGNED FOR LARGER CABLE SIZES CAN BE USED ON SMALLER DIAMETER CABLES IF COPPER ADAPTER SLEEVES OR SHIM STOCK ARE UTILIZED. THE COPPER SHIM STOCK, .0108" X 1-1/2" X 3", IS NORMALLY WRAPPED AROUND CABLE UNTIL THE DIAMETER IS ABOUT EQUAL TO THE CABLE OPENING. A TIGHT FIT IS NOT NECESSARY AS THE SHIM STOCK WILL UNWRAP SLIGHTLY AND PREVENT LEAKAGE OF WELD METAL. TO ORDER SHIM STOCK USE PART # 38-0329-00. SHIM STOCK COMES 100 PIECES PER BOX.



thermOweld®

REV	EC #	DESCRIPTION	DATE	INITIALS
A	220308017794	TEMPLATE UPDATED	03/11/2022	BE
REVISION HISTORY				

TO ORDER thermOweld® PRODUCTS CALL UNITED STATES 1-800-558-1373 CANADA: 1-800-387-6487 FOR PRODUCT INFO: http://www.burndy.com	SIGNATURES				 	
	DRAWN BY	DATE	APPROVED BY	DATE		
	B. MCKASKLE	10/19/06	<i>NAC</i>	11/03/06	SHIM STOCK AND ADAPTER SLEEVES	
	MATERIAL				SIZE	DWG NO.
				C	CD-0662	
				SCALE	SHEET 1 OF 1	
				N.T.S.		